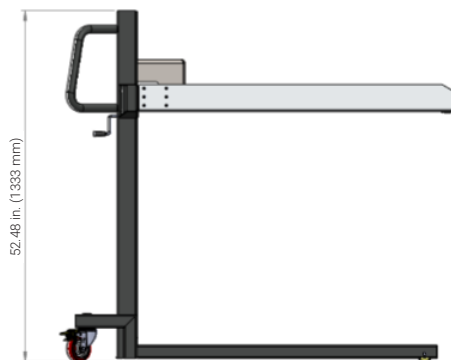
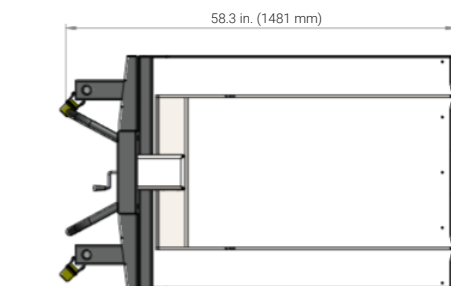


Stratasys Neo800 Unload Trolley

Conveniently pick up and unload the Neo[®]800 platform and parts up to 88 lbs (40kg) in weight with the Stratasys Neo Unload Trolley.

The Stratasys Neo Unload Trolley allows completed build platforms to be moved from the Neo800 to the part cleanup area - the perfect addition for a complete 3D printing solution.

Weight 203 lbs (92 Kg). Dimensions shown.



USA - Headquarters

7665 Commerce Way
Eden Prairie, MN 55344, USA
+1 952 937 3000

EMEA

Airport Boulevard B 120
77836 Rheinmünster, Germany
+49 7229 7772 0



GET IN TOUCH.

www.stratasys.com/contact-us/locations

ISRAEL - Headquarters

1 Holtzman St., Science Park
PO Box 2496
Rehovot 76124, Israel
+972 74 745 4000

SOUTH ASIA

1F A3, Ninghui Plaza
No.718 Lingshi Road
Shanghai, China
+86 21 3319 6000

stratasys.com

ISO 9001:2015 Certified

