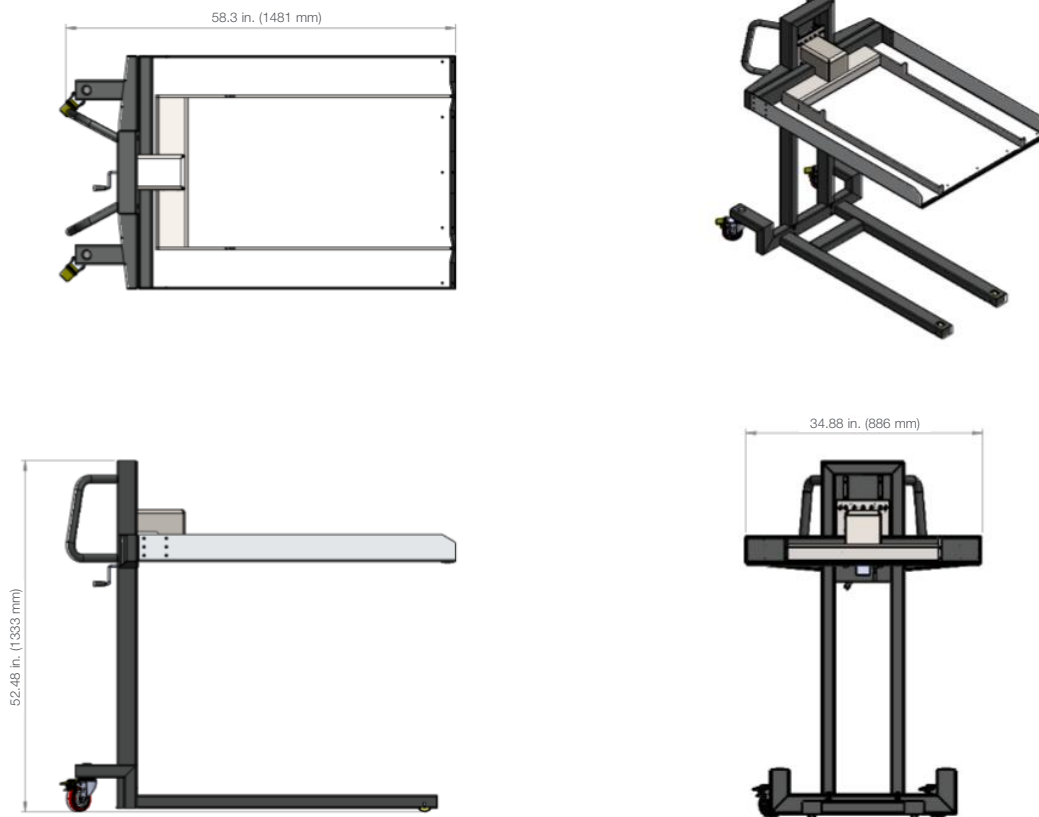


Stratasys Neo800 Unload Trolley

Conveniently pick up and unload the Neo®800 platform and parts up to 88 lbs (40kg) in weight with the Stratasys Neo Unload Trolley.

The Stratasys Neo Unload Trolley allows completed build platforms to be moved from the Neo800 to the part cleanup area - the perfect addition for a complete 3D printing solution.

Weight 203 lbs (92 Kg). Dimensions shown.



USA - Headquarters

7665 Commerce Way
Eden Prairie, MN 55344, USA
+1 952 937 3000

ISRAEL - Headquarters

1 Holtzman St., Science Park
PO Box 2496
Rehovot 76124, Israel
+972 74 745 4000

stratasys.com

ISO 9001:2015 Certified

EMEA

Airport Boulevard B 120
77836 Rheinmünster, Germany
+49 7229 7772 0

ASIA PACIFIC

7th Floor, C-BONS International Center
108 Wai Yip Street Kwun Tong Kowloon
Hong Kong, China
+ 852 3944 8888



GET IN TOUCH.

www.stratasys.com/contact-us/locations

